



IES2016-16T Series

DIN-Rail Mounting or Wall Mounting

16-port 100M Unmanaged Industrial Ethernet Switch

- Support 16 100M copper ports
- Support optional AC/DC power supply and DC dual power supply redundancy
- Input voltage: 12~48VDC or 100~240VAC
- Support -40~75°C wide operating temperature range



Industrial Grade Fanless Design

Introduction

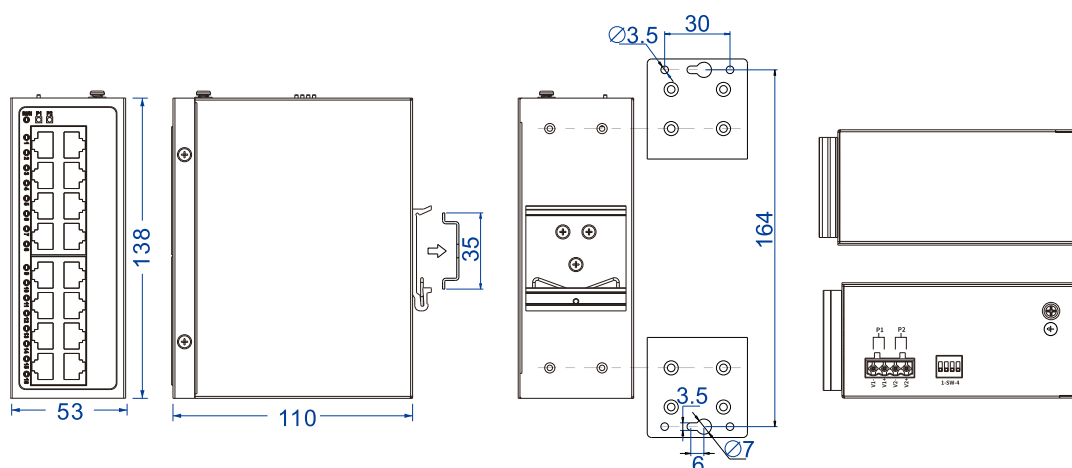
IES2016-16T series are 16-port 100M unmanaged industrial Ethernet switches. It has 2 alternative products, and provides 100M copper ports and two power supply solutions including 220VAC, and 12~48VDC. It adopts DIN-Rail mounting or wall mounting, which can meet the requirements of different application scenes.

The DIP switch can achieve flow control and storm suppression. Hardware adopts fanless, low power consumption, and has passed rigorous industrial standard tests, which can suit for the industrial scene environment with harsh requirements for EMC. It can be widely used in railway transportation, smart city, safe city, new energy, intelligent manufacturing, and other industrial fields.

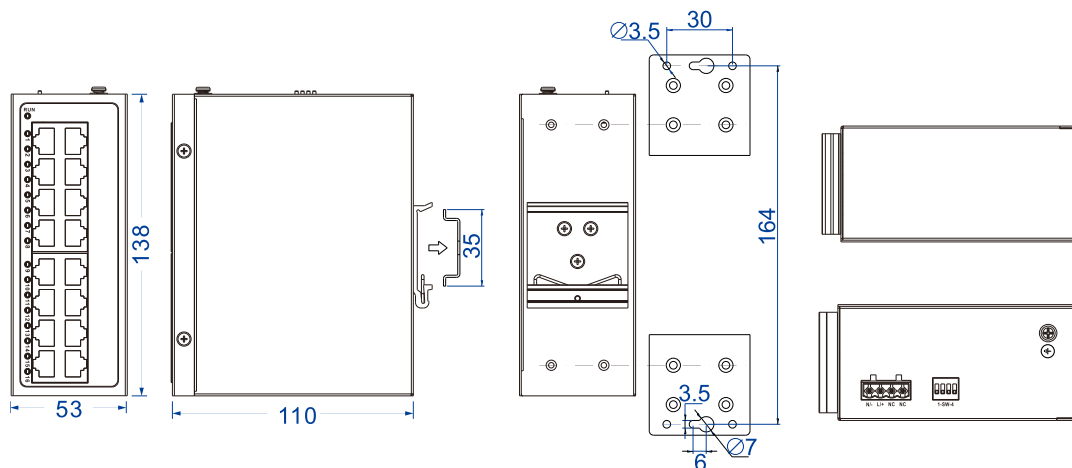
Dimension

Unit:mm

- IES2016-16T-2P48



- IES2016-16T-P220



Specification

Standard & Protocol	IEEE 802.3 for 10Base-T IEEE 802.3u for 100Base-TX IEEE 802.3x for flow control		
Interface	Copper port: 10/100Base-T(X), RJ45, Full/Half Duplex Mode, MDI/MDI-X Autotuning		
LED Indicator	Running Indicator, Power Supply Indicator, Port Indicator, Alarm Indicator(Reserved)		
Switch Property	Transmission mode: store and forward MAC address: 8K Backplane bandwidth: 3.2G Switch time delay: <10μs		
Power Requirement	<p>This series product has two optional power supply solutions:</p> <p>Solution 1</p> <ul style="list-style-type: none"> ● Power supply range: 12~48VDC ● Connection method: 4-pin 5.08mm pitch terminal blocks ● Power supply quantity: dual power supply redundancy backup ● Connection protection: non-polarity ● Over-current protection: 3A <p>Solution 2</p> <ul style="list-style-type: none"> ● Power supply input: 220VAC (100~240VAC) ● Connection method: 4-pin 5.08mm pitch terminal blocks (power supply occupies 2 pins) ● Over-current protection: 2A 		
Power Consumption	Model	No-load(@220VAC)	Full-load(@220VAC)
	IES2016-16T-P220	0.7W	2.6W
Environmental Limit	Operating temperature range: -40~75℃ Storage temperature range: -40~85℃ Relative humidity: 5% ~ 95%(no condensation)		
Physical Characteristic	Housing: IP40 protection, metal Installation: DIN-Rail mounting or wall mounting Dimension (W x H x D): 53mm×138mm×110mm		
Industrial Standard	IEC 61000-4-2 (ESD, Electro-Static discharge), Level 4 <ul style="list-style-type: none"> ● Air discharge: ±15kV ● Contact discharge: ±8kV IEC 61000-4-4 (EFT, Electrical Fast Transients), Level 3		

	<ul style="list-style-type: none">● Power supply: $\pm 2\text{kV}$● Ethernet port: $\pm 1\text{kV}$ <p>IEC 61000-4-5 (Surge), Level 4</p> <ul style="list-style-type: none">● Power supply: common mode $\pm 4\text{kV}$, differential mode $\pm 2\text{kV}$● Ethernet port: common mode $\pm 4\text{kV}$, differential mode $\pm 2\text{kV}$ <p>Shock: IEC 60068-2-27 Free fall: IEC 60068-2-32 Vibration: IEC 60068-2-6</p>
--	---

Certification	CE, FCC, RoHS
---------------	---------------

Warranty	5 years
----------	---------



Ordering Information

Available Models	100M Copper Port	Power Supply
IES2016-16T-2P48	16	Dual power supply 12~48VDC
IES2016-16T-P220	16	220VAC



Address: 3/B, Zone 1, Baiwangxin High Technology Industrial Park, Song Bai Road, Nanshan District, Shenzhen, 518108, China

TEL.: +86-755-26702668 ext 835 FAX: +86-755-26703485

E-mail: ics@3onedata.com

Website: www.3onedata.com

◀ Please scan our QR code for more details

*Product pictures and technical data in this datasheet are only for reference. Updates are subject to change without prior notice. The final interpretation right is reserved by 3onedata.