



IES2008

DIN-Rail Mounting or Wall Mounting
8-port 100M Unmanaged Industrial Ethernet Switch

- Support 8 100M copper ports
- Input voltage: 12~48VDC/24VAC
- Support -40~75°C wide operating temperature range



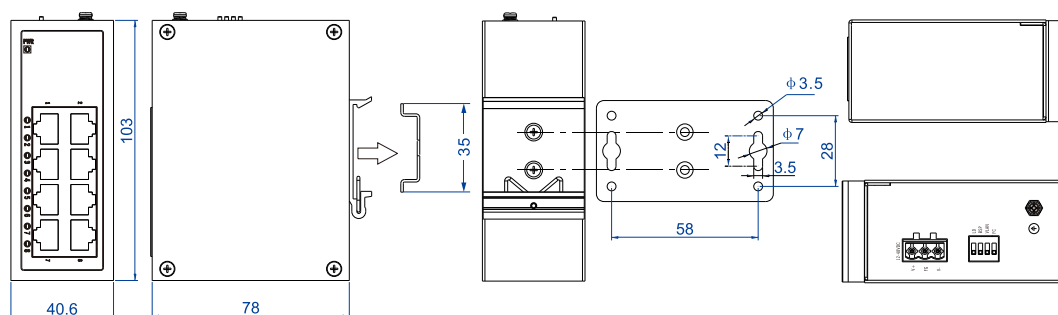
Introduction

IES2008 is 8-port 100M unmanaged industrial Ethernet switch. It provides 100M copper ports and adopts DIN-Rail mounting or wall mounting, which can meet the requirements of different application scenes.

The DIP switch can achieve loop detection, storm suppression, one-key VLAN and flow control. Hardware adopts fanless, low power consumption, and has passed rigorous industrial standard tests, which can suit for the industrial scene environment with harsh requirements for EMC. It can be widely used in railway transportation, smart city, safe city, new energy, intelligent manufacturing, and other industrial fields.

Dimension

Unit:mm



Specification

Standard & Protocol	IEEE 802.3 for 10Base-T IEEE 802.3u for 100Base-TX IEEE 802.3x for flow control
Interface	Copper port: 10/100Base-T(X), RJ45, Full/Half Duplex Mode, MDI/MDI-X Autotuning
LED Indicator	Power Supply Indicator, Port Indicator
Switch Property	Transmission mode: store and forward MAC address: 2K Backplane bandwidth: 1.6G Switch time delay: <10 μ s

Power Requirement	12~48VDC/24VAC, 3-pin 5.08mm pitch terminal blocks Anti-reverse connection protection, built-in over-current 3.0A protection
Power Consumption	No-load: 0.5W@24VDC Full-load: 1.4W@24VDC
Environmental Limit	Operating temperature range: -40~75°C Storage temperature range: -40~85°C Relative humidity: 5% ~ 95%(no condensation)
Physical Characteristic	Housing: IP40 protection, metal Installation: DIN-Rail mounting or wall mounting Dimension (W x H x D): 40.6mm×103mm×78mm
Industrial Standard	IEC 61000-4-2 (ESD), Level 3 <ul style="list-style-type: none"> Air discharge: ±8kV Contact discharge: ±6kV IEC 61000-4-4 (EFT), Level 3 <ul style="list-style-type: none"> Power supply: ±2kV Ethernet port: ±1kV IEC 61000-4-5 (Surge), Level 3 <ul style="list-style-type: none"> Power supply: common mode±2kV, differential mode±1kV Ethernet port: common mode±2kV, differential mode±1kV Shock: IEC 60068-2-27 Free fall: IEC 60068-2-32 Vibration: IEC 60068-2-6
Certification	CE, FCC, RoHS, UL61010
Warranty	5 years
MTBF	540249 hrs

Ordering Information

Available Models	100M Copper Port	Power Supply
IES2008	8	12~48VDC/24VAC



Address: 3/B, Zone 1, Baiwangxin High Technology Industrial Park, Song Bai Road, Nanshan District, Shenzhen, 518108, China

TEL.: +86-755-26702668 ext 835 FAX: +86-755-26703485

E-mail: ics@3onedata.com

Website: www.3onedata.com

◀ [Please scan our QR code for more details](#)

*Product pictures and technical data in this datasheet are only for reference. Updates are subject to change without prior notice. The final interpretation right is reserved by 3onedata.