



IES2312 Series

DIN-Rail or Wall Mounting

12-port Full Gigabit Layer 2 Unmanaged Industrial PoE/non-PoE Ethernet Switch

- Support 4 gigabit fiber ports (1*9 module or SFP slot) and 8 gigabit copper ports (PoE or non-PoE)
- Output power of single-port PoE can reach up to 30W
- PoE product supports dual power supply, 48VDC PoE or 24VDC PoE power input
- Non-PoE product supports 100~240VAC or dual power supply 12~48VDC power input
- Support -40~75°C wide operating temperature range



Introduction

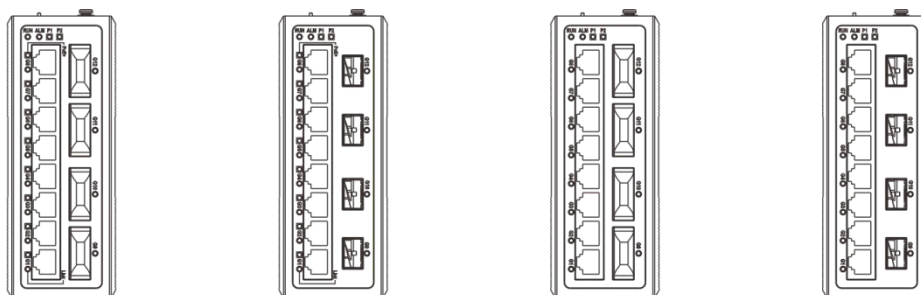
IES2312 series are 12-port full gigabit layer 2 unmanaged industrial PoE/non-PoE Ethernet switches. Their PoE power supply conforms to the protocol standards of IEEE 802.3af/at. This series have 8 types of product, and provide gigabit copper ports, gigabit PoE ports, gigabit fiber pots, gigabit SFP slots and other ports. They support multiple power supply schemes including 100~240VAC, 12~48VDC, 24VDC POE and 48VDC POE, and adopt DIN-Rail mounting or wall mounting, which can meet the requirements of different scenes.

The input DC power supply is two independent power supply circuits which can ensure the normal operation of the device when one power supply fails. Hardware adopts fanless, low power consumption, wide temperature and voltage design and has passed rigorous industrial standard tests, which can suit for the industrial scene environment with harsh requirements for EMC. It can be widely used in AP coverage, railway transportation, smart city, safe city, new energy, smart grid, aerospace, intelligent manufacturing, military project and other industrial fields.

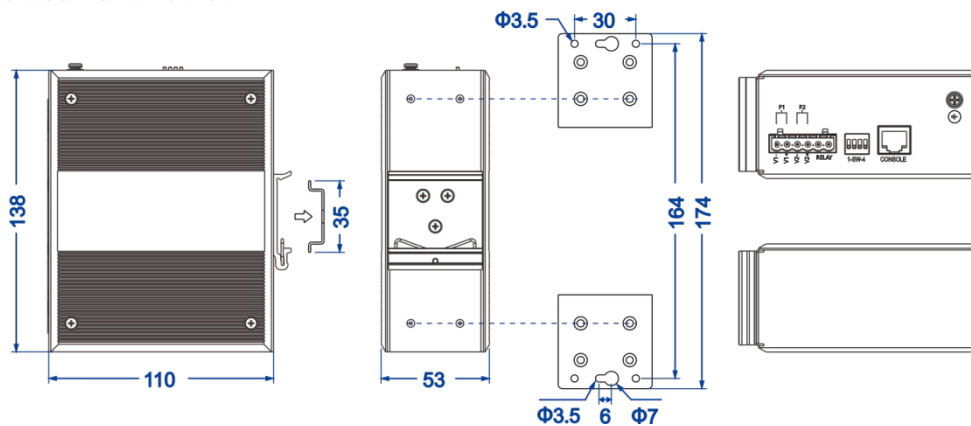
Dimension

Unit:mm

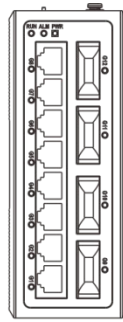
- DC power supply product



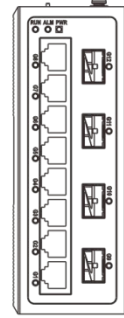
IES2312-8GP4GF-2P24-120W IES2312-8GP4GS-2P24-120W
 IES2312-8GP4GF-2P48-120W IES2312-8GP4GS-2P48-120W IES2312-8GT4GF-2P48 IES2312-8GT4GS-2P48
 IES2312-8GP4GF-2P48-240W IES2312-8GP4GS-2P48-240W



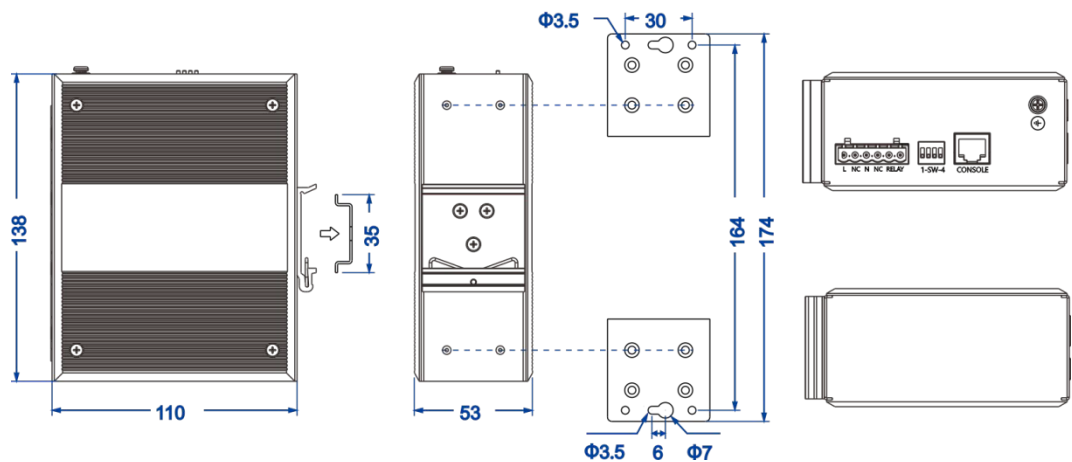
- AC power supply product



IES2312-8GT4GF-P220



IES2312-8GT4GS-P220



Specification

| | |
|---------------------|---|
| Standard & Protocol | <p>IEEE 802.3 for 10Base-T IEEE 802.3u for 100Base-TX IEEE 802.3ab for 1000Base-T IEEE 802.3z for 1000Base-X IEEE 802.3af for PoE IEEE 802.3at for PoE+</p> |
| PoE | <p>The maximum power of POE port: 30W PoE power supply pin: V+, V+, V-, V- correspond to Pin 1, 2, 3, 6</p> |
| Interface | <p>Gigabit copper port: 10/100/1000Base-T(X), RJ45, Automatic Flow Control, Full/half Duplex Mode, MDI/MDI-X Autotuning Gigabit fiber port: 1000Base-FX, optional SC/ST/FC interface SFP slot: 1000Base-SFP, LC Console port: Reserved Alarm port: Reserved</p> |

LED Indicator Running Indicator, Alarm Indicator, Port Indicator, Power Supply Indicator, PoE Indicator

| | |
|------------------------|--|
| Switch Property | Transmission mode: store and forward MAC address: 8K Packet buffer size: 4Mbit Backplane bandwidth: 24G Switch time delay: <10μs |
|------------------------|--|

This series of products provide 4 power supply modes. The PoE product has two optional power supply schemes:

Scheme 1

- Power supply range: 24VDC PoE
- Connection mode: 6-pin 5.08mm pitch terminal blocks (power supply occupies 4 pins)
- Power supply quantity: dual power supply redundant backup
- Connection protection: anti-reverse connection
- Over-current protection: 12A

Scheme 2

- Power supply input: 48VDC PoE
- Connection mode: 6-pin 5.08mm pitch terminal blocks (power supply occupies 4 pins)
- Power supply quantity: dual power supply redundant backup
- Connection protection: anti-reverse connection
- Over-current protection: 5A

Power Requirement

Non-PoE product has two optional power supply schemes:

Scheme 3

- Power supply range: 12~48VDC
- Connection mode: 6-pin 5.08mm pitch terminal blocks (power supply occupies 4 pins)
- Power supply quantity: dual power supply redundant backup
- Connection protection: non-polarity
- Over-current protection: 3A

Scheme 4

- Power supply input: 100~240VAC
- Connection mode: 6-pin 5.08mm pitch terminal blocks (power supply occupies 2 pins)
- Over-current protection: 5A

| Power Consumption | Model | No-load | Full-load |
|--------------------------|--------------------------|------------|--------------|
| | IES2312-8GP4GF-2P24-120W | 9.1W@24VDC | 141.5W@24VDC |

| | | | |
|--|--------------------------|-------------|--------------|
| | IES2312-8GP4GS-2P24-120W | 6.0W@24VDC | 100.8W@24VDC |
| | IES2312-8GP4GF-2P48-120W | 8.8W@48VDC | 130.0W@48VDC |
| | IES2312-8GP4GF-2P48-240W | 8.8W@48VDC | 199.6W@48VDC |
| | IES2312-8GP4GS-2P48-120W | 5.2W@48VDC | 132.9W@48VDC |
| | IES2312-8GP4GS-2P48-240W | 5.2W@48VDC | 200.2W@48VDC |
| | IES2312-8GT4GF-2P48 | 7.5W@24VDC | 10.5W@24VDC |
| | IES2312-8GT4GS-2P48 | 4.2W@24VDC | 10.2W@24VDC |
| | IES2312-8GT4GF-P220 | 7.7W@220VAC | 11.1W@220VAC |
| | IES2312-8GT4GS-P220 | 4.6W@220VAC | 10.4W@220VAC |

Environmental Limit
 Operating temperature range: -40~75°C
 Storage temperature range: -40~85°C
 Relative humidity: 5% ~ 95% (no condensation)

| | |
|--------------------------------|--|
| Physical Characteristic | Housing: IP40 protection, metal Installation: DIN-Rail or wall mounting Weight: ≤740g Dimension (W x H x D): 53mm×138mm×110mm |
|--------------------------------|--|

Industrial Standard
 IEC 61000-4-2 (ESD), Level 3
 IEC 61000-4-4 (EFT), Level 3
 IEC 61000-4-5 (Surge), Level 3
 Shock: IEC 60068-2-27
 Free fall: IEC 60068-2-32
 Vibration: IEC 60068-2-6

| | |
|----------------------|------------------------|
| Certification | CE, FCC, RoHS, UL61010 |
|----------------------|------------------------|

Warranty 5 years



Ordering Information

| Available Models | Gigabit Copper Port | Gigabit PoE Port | Gigabit Fiber Port | Gigabit SFP Slot | PoE Power | Power Supply |
|------------------------------|---------------------|------------------|--------------------|------------------|-----------|--------------------------------|
| IES2312-8GP4GF-2P24-1 20W | — | 8 | 4 | — | 120W | Dual power supply 24VDC POE |
| IES2312-8GP4GS-2P24-1 20W | — | 8 | — | 4 | 120W | |
| IES2312-8GP4GF-2P48-1 20W | — | 8 | 4 | — | 120W | Dual power supply 48VDC POE |
| IES2312-8GP4GS-2P48-1 20W | — | 8 | — | 4 | 120W | |
| IES2312-8GP4GF-2P48-2 40W | — | 8 | 4 | — | 240W | Dual power supply 48VDC POE |
| IES2312-8GP4GS-2P48-2 40W | — | 8 | — | 4 | 240W | |
| IES2312-8GT4GF-2P48 | 8 | — | 4 | — | — | Dual power supply 12~48VDC |
| IES2312-8GT4GS-2P48 | 8 | — | — | 4 | — | |
| IES2312-8GT4GF-P220 | 8 | — | 4 | — | — | 100~240VAC |
| IES2312-8GT4GS-P220 | 8 | — | — | 4 | — | |



Address: 3/B, Zone 1, Baiwangxin High Technology Industrial Park, Song Bai Road, Nanshan District, Shenzhen, 518108, China

TEL.: +86-755-26702668 ext 835 FAX: +86-755-26703485

E-mail: ics@3onedata.com

Website: www.3onedata.com

◀ Please scan our QR code for more details

*Product pictures and technical data in this datasheet are only for reference. Updates are subject to change without prior notice. The final interpretation right is reserved by 3onedata.