

SW(B)X525I-X42 Series

1-port Fast Ethernet SFP modules

Industrial 155Mb/s SFP Optical Transceiver Module

Features

- Support IEEE802.3u, SFF-8431 Standard
- Transmission rate is 155Mb/s
- Hot pluggable LC duplex connector
- Working voltage is 3.3V
- RoHS compliant
- Working temperature -40~85°C



Specification

Interface

Connectors: Duplex LC Connector

Mechanical Structure

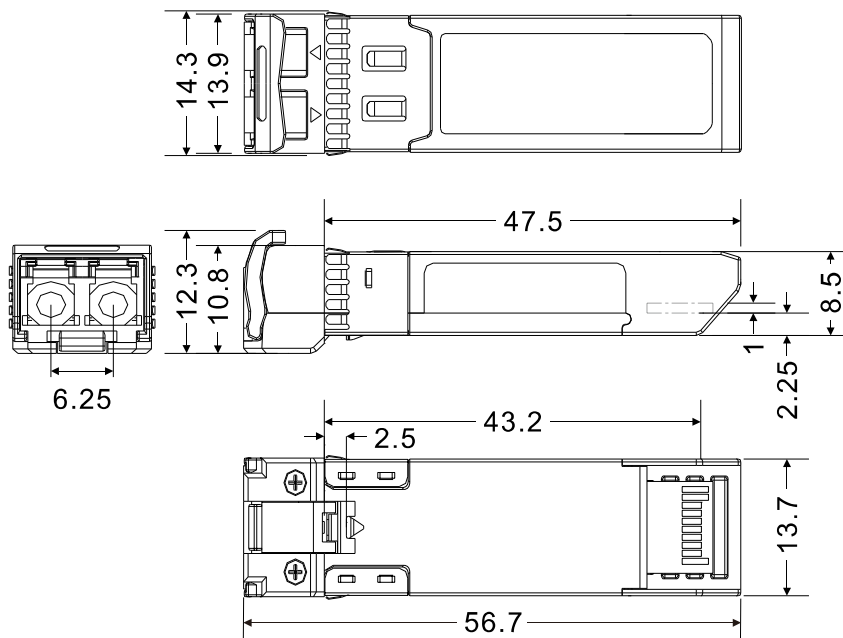
Size (W×H×D): 13.7mm×12.7mm×57.2mm

Certification

CE、FDA、C-TICK

Warranty: 1 years

Dimension (Unit: mm)



Ordering Information

Model	Type	Rate	Wavelength (nm)	Distance (km)	TX Power (dbm)	RX Sens (dbm)	Voltage (V)	Connector	Signal
SW2525I-242	MM	155Mb/s	1310	2	-15 ~ -8	-31	3.3	LC	LVPECL
SW3525I-442	SM	155Mb/s	1310	20	-15 ~ -8	-34	3.3	LC	LVPECL
SW3525I-542	SM	155Mb/s	1310	40	-5 ~ 0	-34	3.3	LC	LVPECL
SW4525I-641	SM	155Mb/s	1550	60	-5 ~ 0	-34	3.3	LC	LVPECL
SW4525I-742	SM	155Mb/s	1550	80	-5 ~ 0	-34	3.3	LC	LVPECL
SWB3525I-442	SS	155Mb/s	TX1310/RX1550	20	-15 ~ -8	-32	3.3	LC	LVPECL
SWB4525I-442	SS	155Mb/s	TX1550/RX1310	20	-15 ~ -8	-32	3.3	LC	LVPECL
SWB3525I-541	SS	155Mb/s	TX1310/RX1550	40	-5 ~ 0	-33	3.3	LC	LVPECL
SWB4525I-541	SS	155Mb/s	TX1550/RX1310	40	-10 ~ -3	-33	3.3	LC	LVPECL
SWB3525I-641	SS	155Mb/s	TX1310/RX1550	60	-5 ~ 0	-36	3.3	LC	LVPECL
SWB4525I-641	SS	155Mb/s	TX1550/RX1310	60	-8 ~ -3	-36	3.3	LC	LVPECL
SWB3525I-741	SS	155Mb/s	TX1310/RX1550	80	-1 ~ 5	-37	3.3	LC	LVPECL
SWB4525I-741	SS	155Mb/s	TX1550/RX1310	80	-5 ~ 0	-37	3.3	LC	LVPECL