



NP308T Series

Wall/Desktop Mounting

8 RS-232/485/422 Serial Device Server

- Support 8 RS-232, RS-485/422 or 3IN1 serial port to 1 10/100Base-T(X) self-adaptive Ethernet interface
- Support RealCom, TCP Server, TCP Client, UDP Server, UDP Client, Pair Master, Pair Slave, UDP Rang, UDP Multicast and other operating modes
- Support 12~48VDC wide voltage input range



Introduction

NP308T series are the serial device server that can make serial device be equipped with networking capability instantly and centrally manage the scattered serial devices and hosts via network. This series include 3 types of products and provide 8 RS-232, RS-485/422 or 3IN1 serial port to 1 100M Ethernet copper port. Thereinto, RS-485/422 supports electromagnetic isolation of serial port. It adopts wall/desktop mounting to meet the requirements of different application scenes.

Serial device server supports multiple network protocols, such as TCP, UDP, SNMP, TELNET, ARP, ICMP, HTTP, DNS and DHCP protocol. It also possesses complete management functions, including Access Control, Rapid Configuration, Online Upgrading and so on. Each serial port supports 4 TCP or UDP session connections, and it also supports RealCom, TCP Server, TCP Client, UDP Server, UDP Client, Pair Master, Pair Slave, UDP Rang, UDP Multicast operating modes and TELNET, WEB access modes. Furthermore, supplied management configuration tool based on Windows platform can guide the user to manage and configure the device, achieving immediate networking of serial device via simple settings. It can provide users with good experience with friendly design of network management system interface, simple and convenient operation.

DIP switch or RST button can achieve restore factory defaults of the device. Hardware adopts fanless, low power consumption, wide temperature and voltage design and has passed rigorous industrial standard tests, which can suit for the industrial scene environment with harsh requirements for EMC. It can be widely used in PLC control and management, Building Automation System, Health Care Automation System, measuring instrument and environmental forces monitoring system.

Features and Benefits

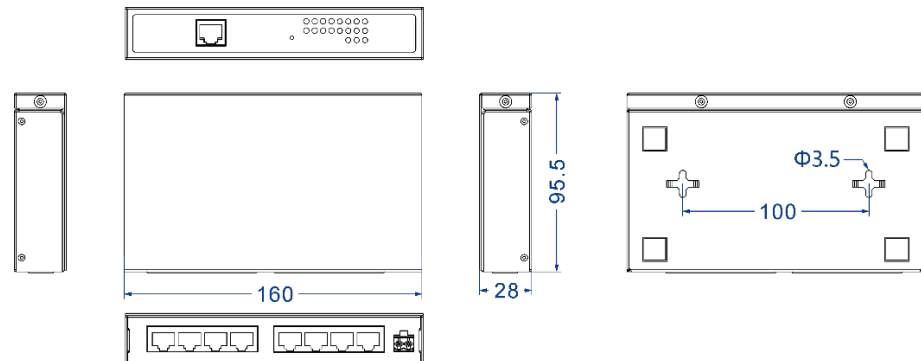
- ⊙ Support 10/100Base-T(X) self-adaptive Ethernet interface
- ⊙ Support 300bps-115200bps line speed and non-blocking communication
- ⊙ Support RealCom, TCP Server, TCP Client, UDP Server, UDP Client, Pair Master, Pair Slave, UDP Rang, UDP Multicast and other operating modes
- ⊙ Support across gateway and routing communication
- ⊙ Support multiple hosts polling mode, which allows multiple hosts to access the same serial port
- ⊙ Support delimiter matching communication, achieving various demands for serial port packaging
- ⊙ Support FIFO, compatible with various old type terminal devices
- ⊙ Support IP address and MAC address filtering, which can easily achieve accurate access control
- ⊙ Support classification of user management to realize humanized permission management

- ⦿ Support serial port status and parameters monitoring, ensuring the communication status be clear at a glance
- ⦿ Support RTS/CTS, DTR/DSR and XON/XOFF flow control
- ⦿ Support SNMP network management
- ⦿ Compatible with various virtual serial port management software
- ⦿ Support virtual serial port drive access mode and automatic connection recovery after network interruption
- ⦿ Flexible serial port data framing setting, which can satisfy user's various demands for data packets segmentation
- ⦿ Support standard TCP/IP SOCKET application access
- ⦿ TCP supports multi-connection, which allows maximum 4 users to monitor or manage the serial device simultaneously
- ⦿ UDP supports single machine or multi-machine communication, which allows multiple users to monitor or manage the serial device simultaneously
- ⦿ Support Windows configuration tool, TELNET, WEB and other configuration forms

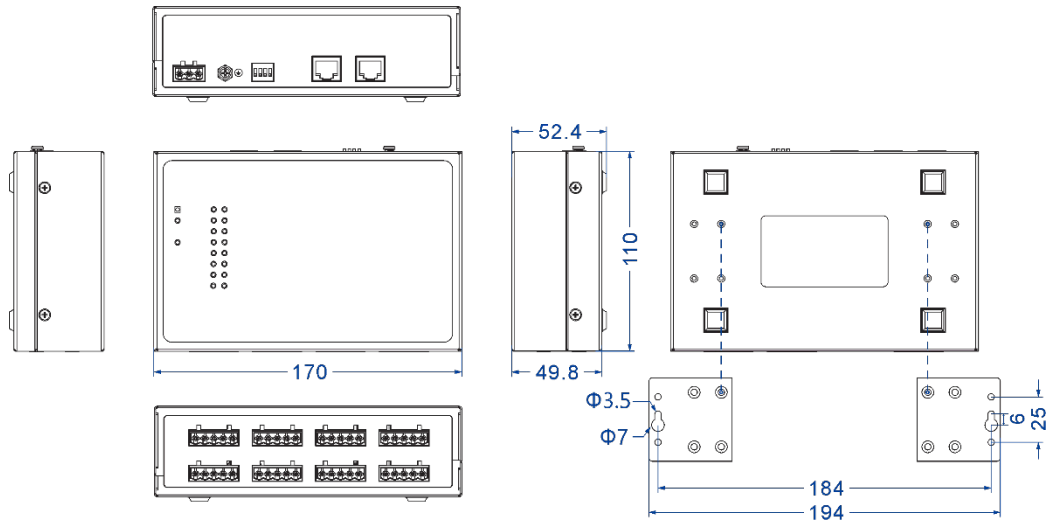
Dimension

Unit:mm

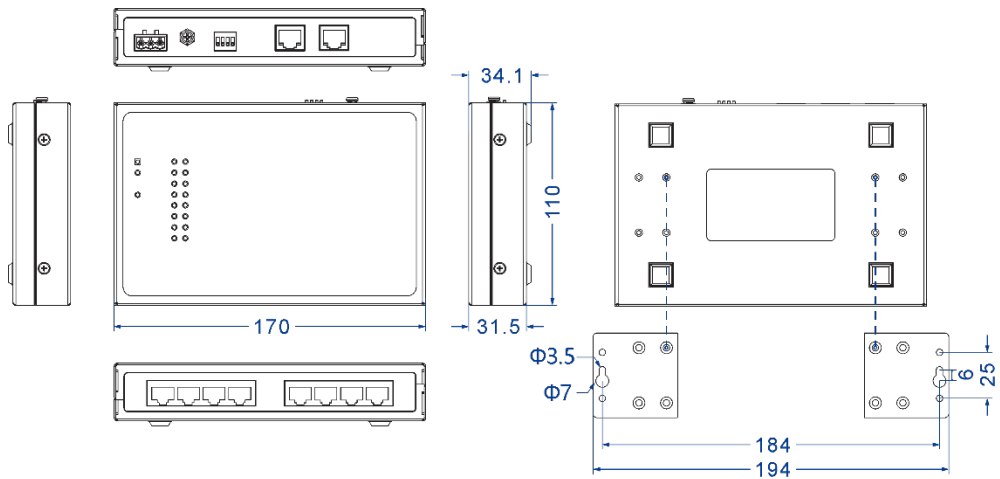
- NP308T-8D(RS-232)



- NP308T-8DI(RS-485)



● NP308T-8D (3IN1)-RJ45



Specification

<p>Ethernet</p>	<p>Standard: 10Base-T, 100Base-TX Protocol: TCP, UDP, ARP, HTTP, TELNET, SNMP, ICMP, DHCP, DNS Rate: 10/100M automatic flow control, MDI/MDI-X autotuning Interface quantity: 1 Interface form: RJ45 Duplex mode: full/half duplex mode self-adaption Operating mode: 4 sessions, support RealCom, TCP Server, TCP Client, UDP Server, UDP Client, Pair Master, Pair Slave, UDP Rang and UDP Multicast operating modes</p>
-----------------	--

Standard: EIA RS-232C, RS-485, RS-422
 Quantity of serial port: 8 RS-232, RS-485/422 or 3IN1 serial port
 RS-232 signal: DSR, RTS, GND, TXD, RXD, DCD, CTS, DTR
 RS-485 signal: D+, D-, GND
 RS-422 signal: T+, T-, GND, R+, R-
 Baud rate: 300-115200bps
 Data bit: 5bit, 6bit, 7bit, 8bit
 Parity bit: None, Even, Odd, Space, Mark
 Stop bit: 1bit, 2bit
 Interface form: RS-232 serial port, adopt RJ45;
 RS-485/422 serial port with isolation, adopt 5 pins
 5.08mm pitch terminal blocks
 3IN1 serial port, adopt RJ45
 Flow control: RTS/CTS, DTR/DSR, XON/XOFF
 Direction control: RS-485 direction adopts data flow automatic control technology
 Load capacity: RS-485/422 end supports 32 points polling (customizable 128 points)
 Pull high/low resistor for RS-485: 4.7kΩ
 Electromagnetic isolation strength: RS-485/422 serial port (terminal block), 3KVDC/2KVrms

Configuration	WEB configuration management, TELNET configuration, Windows configuration tool
Security	Classification of User Permissions, IP address filtering, MAC address filtering, WEB console, TELNET console
Indicator	Power supply indicator, running indicator, Ethernet port indicator, serial port indicator
Power Requirement	<p>NP308T-8D(RS-232)</p> <ul style="list-style-type: none"> ● Power supply range: 9~48VDC ● Connection mode: 2-pin 5.08mm pitch terminal blocks <p>NP308T-8DI(RS-485), NP308T-8D(3IN1)-RJ45</p> <ul style="list-style-type: none"> ● Power supply range: 12~48VDC ● Connection mode: 3-pin 5.08mm pitch terminal blocks ● Power supply protection: nonpolarity connection
Power Consumption	<p>No-load: ≤3.16W@12VDC Full-load: ≤3.90W@12VDC</p>
Environmental Limit	<p>NP308T-8D(RS-232), NP308T-8D(3IN1)-RJ45</p> <ul style="list-style-type: none"> ● Operating temperature range: -40~75°C ● Storage temperature range: -40~85°C ● Relative humidity: 5% ~ 95% (no condensation) <p>NP308T-8DI(RS-485)</p>

- Operating temperature range: -40~70°C
- Storage temperature range: -40~70°C
- Relative humidity: 5% ~ 95% (no condensation)

Physical Characteristic	Housing: IP30 protection, metal Installation: wall/desktop mounting Dimension (W x H x D): 160mm×28mm×95.5mm (RS-232); 170mm×49.8mm×110mm(RS-485/422); 170mm×31.5mm×110mm (3IN1) Weight: 524g(RS-232), 740g(RS-485/422), 590g(3IN1)
--------------------------------	--

Industrial Standard	IEC 61000-4-2 (ESD, Electro-static Discharge) , Level 4 <ul style="list-style-type: none">● Air discharge: ±15kV● Contact discharge: ±8kV IEC 61000-4-4 (EFT/B, Electrical Fast Transient/Burst), Level 3 (not including RS-232) <ul style="list-style-type: none">● Power supply: ±2kV● Signal: ±1kV IEC 61000-4-5 (Surge), Level 3 (not including RS-232) <ul style="list-style-type: none">● Power supply: common mode ±2kV, differential mode ±1kV● Signal: common mode ±2kV, differential mode ±1kV Shock: IEC 60068-2-27 Free fall: IEC 60068-2-32 Vibration: IEC 60068-2-6
----------------------------	--

Certification	CE, FCC, RoHS
----------------------	---------------

Warranty	3 years
-----------------	---------



Ordering Information

Available Models	100M Copper Port	RS-232	RS-485/422 (with isolation)	3IN1 (RS-232/485/422)	Power Supply Range
NP308T-8D(RS-232)	1	8	—	—	9~48VDC
NP308T-8DI(RS-485)	1	—	8	—	12~48VDC
NP308T-8D(3IN1)-RJ45	1	—	—	8	



Address: 3/B, Zone 1, Baiwangxin High Technology Industrial Park, Song Bai Road, Nanshan District, Shenzhen, 518108, China

TEL.: +86-755-26702668 ext 835 FAX: +86-755-26703485

E-mail: ics@3onedata.com

Website: www.3onedata.com

◀ Please scan our QR code for more details

*Product pictures and technical data in this datasheet are only for reference. Updates are subject to change without prior notice. The final interpretation right is reserved by 3onedata.